



MILESTONE + KLINIPATH

synergy™

Rapid Tissue Processing and Auto-embedding
ALL-IN-ONE



WHAT IS SYNERGY?

The joint effort of Milestone and Klinipath created Synergy: a revolutionary Patented (n. EP 2 439 510 A1) method to automatically embed tissues as part of the processing protocols. This method is applied to Milestone's rapid tissue processors Pathos Delta and Logos. Thanks to a dedicated rack and consumables, the same processor unit can achieve the automatic embedding. All kind of tissues and dimensions can be processed and embedded with this method.

MILESTONE PATHOS DELTA



MILESTONE LOGOS



DELTA SYNERGY RACK

LOGOS SYNERGY RACK



DEDICATED CONSUMABLES

SYNERGY CASSETTE PREPARATION



1

Specimen is placed at the base of the plastic mold



2

A special pad to maintain the position goes on top



3

The cassette is clipped as a cover of the mold

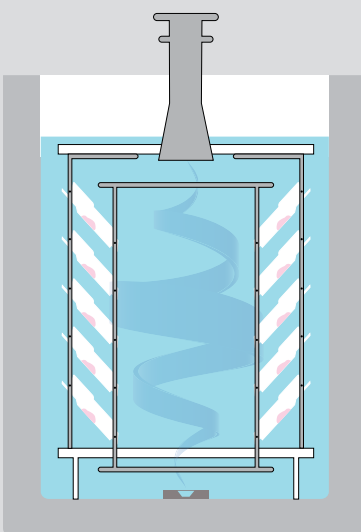


4

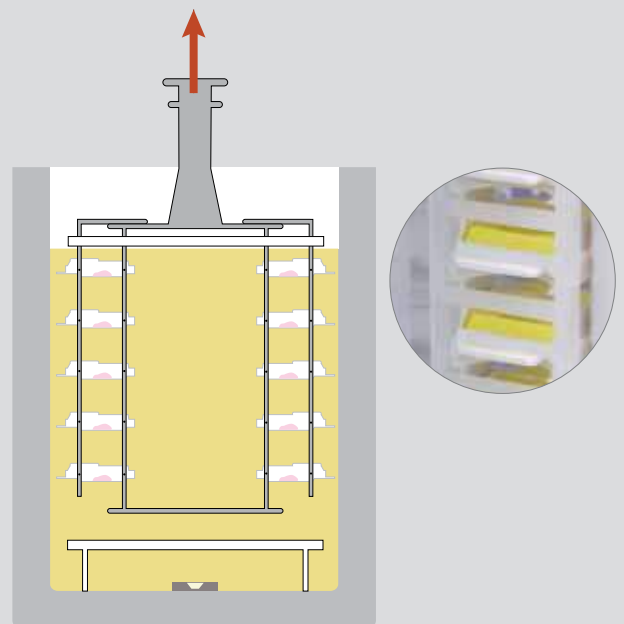
The mold+cassette assembly is inserted in the rack

SYNERGY PROCESSING METHOD

The specially designed rack with a ring placed at the bottom of the processor retort, has a leverage system that allows the molds+cassettes to sit in two positions according to the phase of processing.



During the fixation and reagent steps, the molds are angled, so the fluids can flow in and out without retention



At the end of wax impregnation (as soon as the rack is lifted) the molds go flat, collecting the necessary paraffin to embed the tissue.

THE FINAL STEP



5

After rack removal from the processor by the operator, one by one the cassettes are placed in a standard cold plate



6

After 10 minutes, the cassettes are ready to be opened for the cutting step at microtome



7

The mold is easily opened



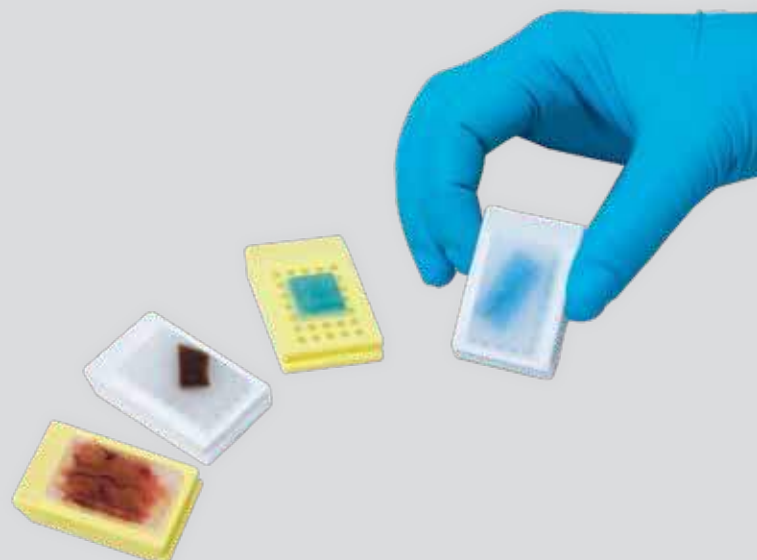
8

The specimen is quickly released for cutting



9

With the Synergy method, the trimming is reduced. No need to modify the cutting procedure

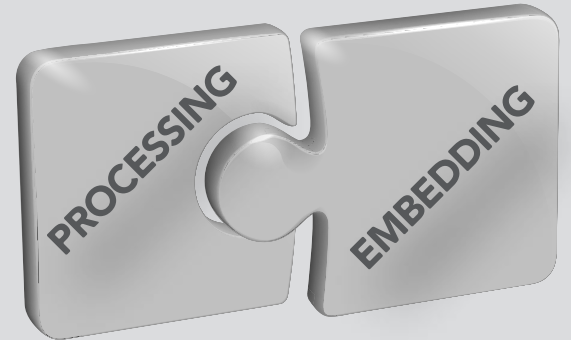


SYNERGY PERFORMANCE

N° of blocks per run : 45

Processing cycles :

- » 1mm thickness processed and embedded in 1h35m
- » 3mm thickness processed and embedded in 2h55m
- » 5mm thickness processed and embedded in 5h35m



SYNERGY BENEFITS

- » Fully automated processing and embedding in one unit
- » Optimal flat positioning of small biopsies such as needle core
- » No more cassettes to be opened after grossing
- » Affordable purchase price
- » Low maintenance cost
- » Flexibility to run standard processing + autoembedding



SYNERGY CONSUMABLE PACKAGES

- » 680 Cassettes (3 packages and 5 colors available)
- » 680 Molds (standard 2x3cm or biopsies 1,5x1,5cm sizes)
- » 700 Pads
- » 8 Kg of histology grade high quality paraffin



CASSETTES/MOLDS/PADS

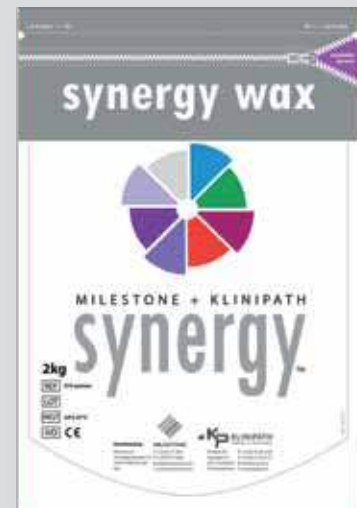


CONSUMABLES PACKAGE

	biopsy kit <small>includes biopsies, cassettes, needles and wax</small>			standard kit <small>includes standard molds, standard pads, needles and wax</small>		
	separate cassettes	cassettes in hopper	cassettes stacked	separate cassettes	cassettes in hopper	cassettes stacked
white	<input type="checkbox"/> SYH210-015	<input type="checkbox"/> SYH210-01H	<input type="checkbox"/> SYH210-01T	<input type="checkbox"/> SYH210-015	<input type="checkbox"/> SYH210-01H	<input type="checkbox"/> SYH210-01T
yellow	<input type="checkbox"/> SYH210-025	<input type="checkbox"/> SYH210-02H	<input type="checkbox"/> SYH210-02T	<input type="checkbox"/> SYH210-025	<input type="checkbox"/> SYH210-02H	<input type="checkbox"/> SYH210-02T
blue	<input type="checkbox"/> SYH210-035	<input type="checkbox"/> SYH210-03H	<input type="checkbox"/> SYH210-03T	<input type="checkbox"/> SYH210-035	<input type="checkbox"/> SYH210-03H	<input type="checkbox"/> SYH210-03T
pink	<input type="checkbox"/> SYH210-045	<input type="checkbox"/> SYH210-04H	<input type="checkbox"/> SYH210-04T	<input type="checkbox"/> SYH210-045	<input type="checkbox"/> SYH210-04H	<input type="checkbox"/> SYH210-04T
green	<input type="checkbox"/> SYH210-055	<input type="checkbox"/> SYH210-05H	<input type="checkbox"/> SYH210-05T	<input type="checkbox"/> SYH210-055	<input type="checkbox"/> SYH210-05H	<input type="checkbox"/> SYH210-05T

CE IVD LOT synergy

AVAILABLE CONFIGURATIONS



SYNERGY WAX

MILESTONE



HELPING PATIENTS

MILESTONE Srl - Via Fatebenefratelli, 1/5 - 24010 Sorisole (BG) - Italy
 Tel: +39 035 4128264 - Fax: +39 035 575498
 www.milestonemedsrl.com - email: medical@milestonesrl.com

UNI EN ISO 9001: 2008 / UNI EN ISO 13485:2004 CERTIFIED

MILESTONE MEDICAL TECHNOLOGIES, INC.
 6475 Technology Avenue, Suite F, Kalamazoo, MI 49009 - USA
 Tel: 269-488-4950 - Toll-free: 866-995-5300 - Fax: 269-488-4949
 www.milestonemed.com - email: info@milestonemed.com

In your country: